



SurgeProtect
Surge Protective Device

HAS500

Unsurpassed Performance

- Maximum surge current capacity rated at 500kA per phase
- Utilizes Thermally Protected Metal Oxide Varistors for optimal performance and safety
- LED Indicator for Monitoring
- IP10/14/56 Water Resistant Protection
- Optional Surge Counter

Product Specifications

	3 Phase
Nominal Voltage - Phase - Neutral U ₀ (RMS)	240 VAC
Maximum Continuous Voltage - Phase - Neutral U _c (RMS)	320 VAC
Short Circuit withstand capability I _{scrr}	200KA
Frequency range	50/60 Hz
Leakage Current (to earth)	<30mA
Indicator circuit current	<1mA
Protection Modes	7 Mode Protection L1-N, L2-N, L3-N L1-G, L2-G, L3-G N-G
Volt Free Contact	Terminals
Nominal discharge current 8/20 us (per phase) I _n	20kA
Maximum Surge Current Capacity per phase	Up to 500kA
Let through voltage U _p at 3kA	1000V
Temperature range	-40 deg C to +85 deg C
Connection type	Screw Terminal
Conductor size (stranded)	6 AWG / 10mm ²
Earth connection	Screw Terminal
Degree of protection	IP10/14/56
Case material	Powder Coated Steel
Net Weight	11 Kg
Dimension	305mm x 305mm x 165mm
Dry Contacts	Yes

SurgeProtect

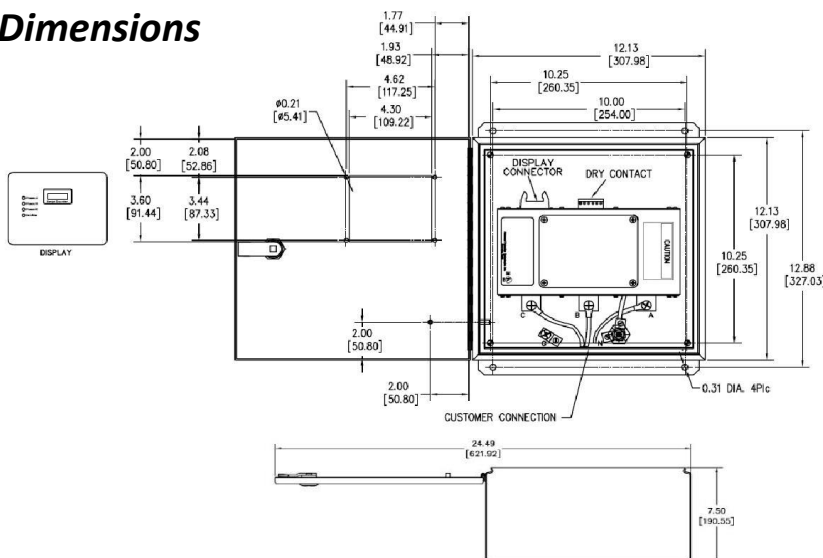
Surge Protective Device

HAS500

Product Application

- AC Drives
- Arena/Concert Buildings
- Computer Manufacturer
- Electrical Controls
- Electrical Distribution
- Fire Department
- High Exposure
- Large Data Complex
- Large Industrial/Commercial
- Large Marina
- Large Office Complex
- Load Centers
- Medium Exposure
- Med Industrial/Commercial
- Motor Control Center
- Panel Boards
- Police Station
- Port Authority
- Power & Control Systems
- Power Generation
- Service Entrance
- Switchboard/Switchgear
- University Buildings
- Waste Water Treatment

Dimensions



Connections

